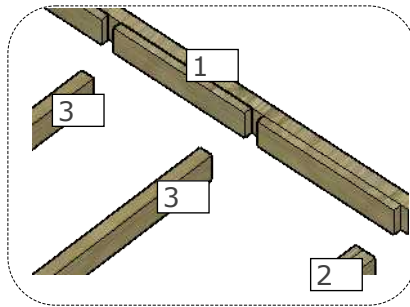


**Gazebo - B with lattice walls**  
288 x 378

M 1/50

Pos.	Teileliste/Specification Pavillon/Gazebo 288x378	Stck/Pcs	Profil/Profile
------	---	----------	----------------

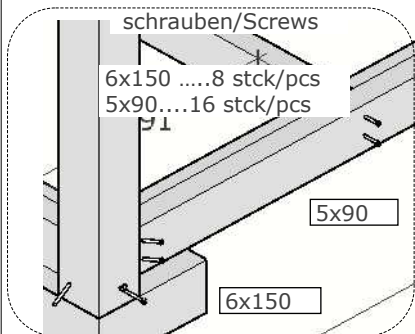
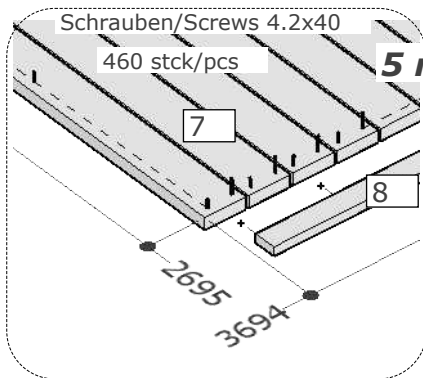
Nr	Fundamenthölzer/foundation beam Impregnated	pcs/stck
1	45+27x2700	2
2	45+27x3600	2
3	45x90x3600	4



Stützpfeiler/Post

5	90x90x2294	2
6	90x90x1950	2

Fussbodenbretter/Floor boards Impregnated



Fussbodenbretter/Floor boards Impregnated

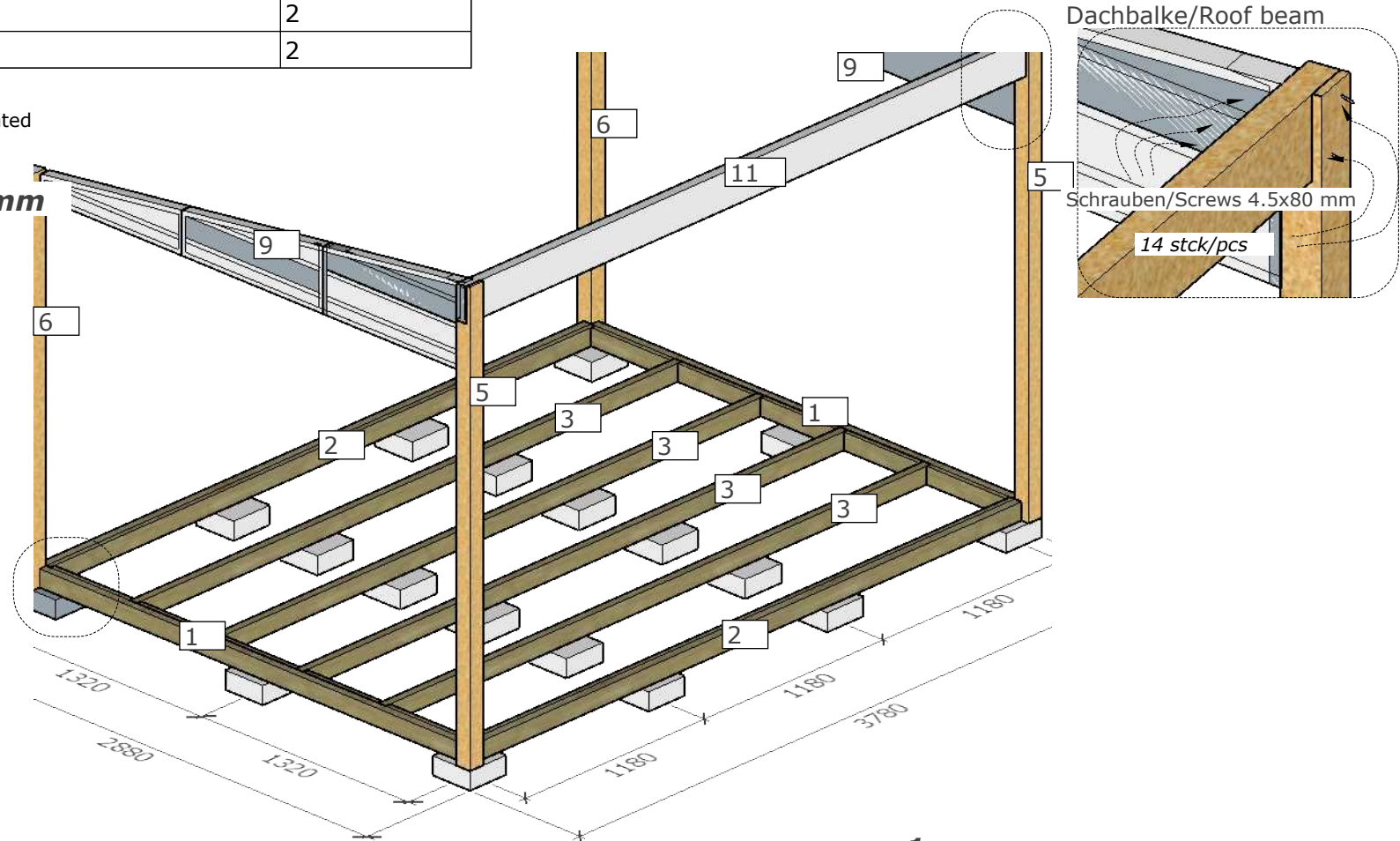
7	21x95x2700	37
8	21x60x2700	1

Wandelement -Trapez/Side closed wallelement trapezoidal shape

9	120-455x2700	1+1
10		

Dachbalke/Roof beam

11	70x193x3780	1
----	-------------	---



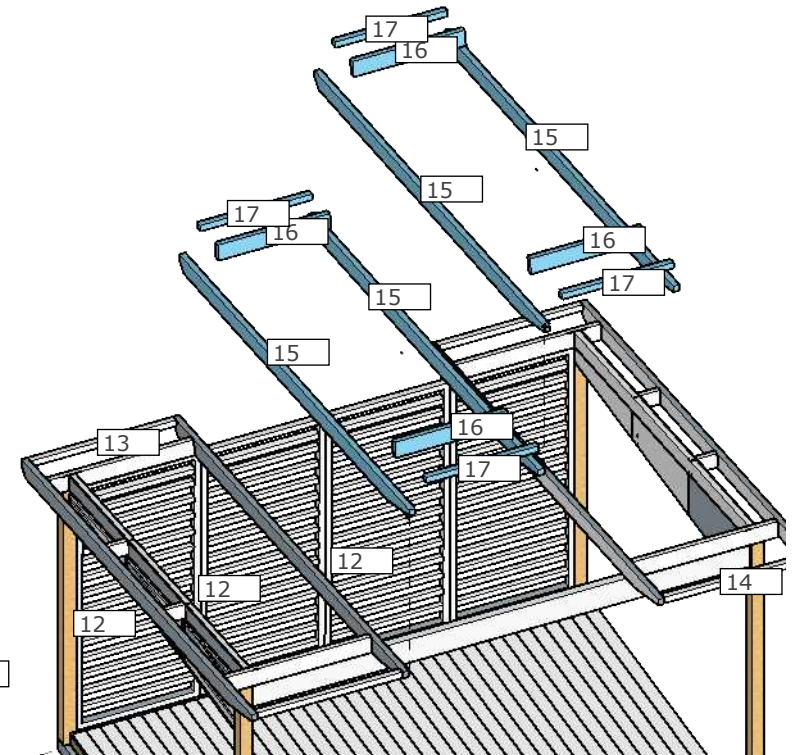
Pos.	Teilleiste/Specification Pavillon/Gazebo 288x378	Stck/Pcs	Profil/Profile
------	---	----------	----------------

Wandelemente/Walls

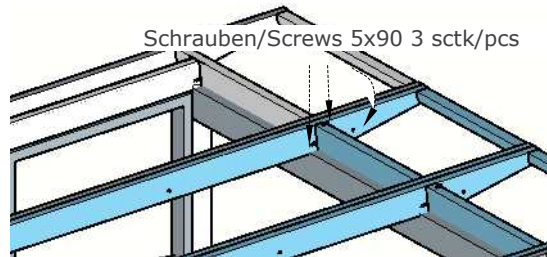
12	Gitterwandelement-Back grating wallelement	4	900x1858
----	---	---	----------

Dachrahmen-Roof frames

13/14	Linksseitig- Rechtsseitig/Left-Right	1+1	1140x3655
15	Dachbalken-Roofing beams	4	45x118x3665
16		4	45x118x810
17		4	45x45x810

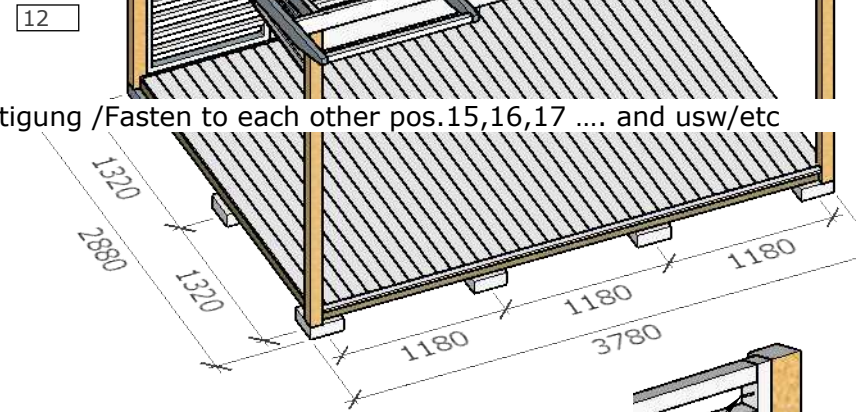


Dachrahmen Befestigung mit Dachbalken-  
Roof frames fixing to terrace roof beam

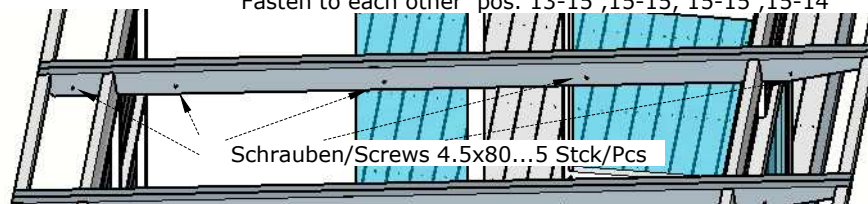


Schrauben/Screws 5x90 3 stck/pcs

Gegenseitige Befestigung /Fasten to each other pos.15,16,17 .... and usw/etc



Gegenseitige befestigung-  
Fasten to each other pos. 13-15 ,15-15, 15-15, 15-14



Schrauben/Screws 4.5x80... 5 Stck/Pcs

Wandbefestigungen- Walls fixings

Gegenseitige befestigung  
Fasten to each other

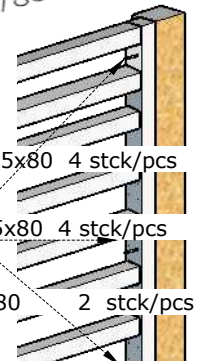
Schrauben/Screws 4.5x80 4 stck/pcs

Mit Pfosten-  
With Posts

Schrauben/Screws 4.5x80 4 stck/pcs

Mit Dachrahmen  
With roof frames

Schrauben/Screws 4x80 2 stck/pcs



Pos.	Teileliste/Specification Pavillon/Gazebo 288x378	Stck/Pcs	Profil/Profile
------	---	----------	----------------

Dachbretter-Roofs board

18	19x140x2040	54	2040

Dachblende-Roof fascia boards

19	16x90x2060	4	2060
20			
21	16x90x1833	4	in einem Winkel-at an angle 7 degr.

